

## 1830PMR LUCERNE

«Medium» version in the round flush recessed raking light range. Choice of lighting effects for customised LED marker-lighting.

### APPLICATIONS:

- Decorative or safety marker-lighting
- Installed at regular intervals to mark a path, cycle path, stairs
- Public space enhancement

### CARACTERISTICS

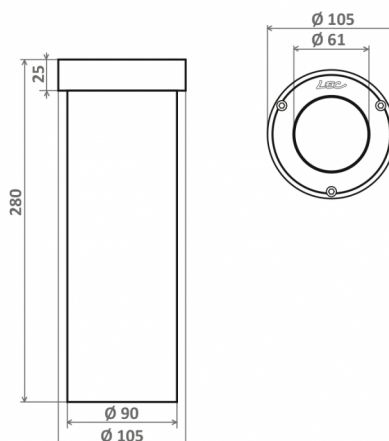
Beacon with specific PRM area signage  
LEC offers custom options

- Anodised aluminium body
- Vandalproof organic glass window
- 316L Stainless steel screws
- Flush-recessed (except 1830K and 1830D)

Withstands occasional traffic from all kinds of vehicles



Modèle déposé  
(Europe)



Number of LEDs	36
Type of LEDs	120° SMD LEDs (S)
Color(s)	Warm white 2700K (F), Warm white 3000K (E), Neutral white 4000K (N), Cool white 6000K (W), Red (R), Amber (O), Green (V), Blue (L)

Select your specific requirements with our product configurator, by filtering technical criteria at the following link:

<http://www.lec.fr/1830pmrz-lucerne-r2429>

### APPLICATION

- Marker-lighting

### CONFIGURATEUR.EMPLACEMENT

- Ground flush recessed fittings
- Ground recessed fittings
- Pavements sides

### CARACTERISTICS

Weight : 290 g

### Options of luminous effects

- RGB options
- Adjustable on 1 axis
- Flat homogeneous window (optional)
- Colour control system (optional)

### Power supply - Control

- Cable length: 1 m
- Integrated : 24V-PWM
- Remote : 24V-0/10V, 24V-DMX, 24V-DALI

### Material

- AL Anodised glazed aluminium
- PC 2 Vandalism-proof, scratch-proof, UV-proof, polycarbonate window, M2

### Mechanical strength - Waterproofness

- Withstands random all vehicles traffic
- IK10 Resists impacts up to 60 joules (IK10)
- IP68 Tight for extended immersion