

4040M LUMINY 4

«Mxi» version in the Luminy spotlight range. Installs on roads/floors, wall or poles with custom-adaptable accessories.

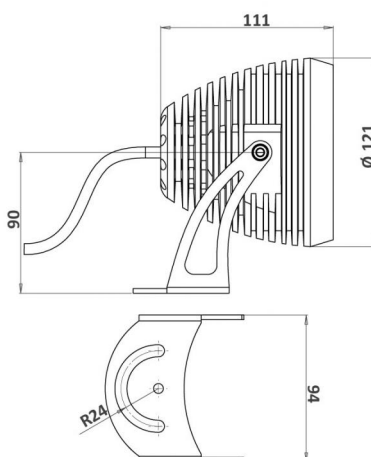
APPLICATIONS:

- Architectural heritage enhancement
- Landscape enhancement
- Path lighting, lanes
- Direct or indirect lighting of public space

CARACTERISTICS

Adjustable on 3 axis

- Colourless anodised machined aluminium body
- Vandalproof organic glass window
- 316L Stainless steel bracket and screws
- Thermolacquered bracket on request
- Optional light hood
- RGBW options available



Number of LEDs	12
Type of LEDs	Power LEDs. Contact us for hot countries.
Color(s)	Warm white 2700K (F), Warm white 3000K (E), Neutral white 4000K (N), Cool white 6000K (W), Red (R), Amber (O), Green (V), Blue (L), Royal blue (K)

Select your specific requirements with our product configurator, by filtering technical criteria at the following link:
<http://www.lec.fr/4040m-luminy-4-r875>

APPLICATION

Outdoor lighting

Standard flux : **2676 lm**

This value is gained from the optimum output of the LED number, inclusive of optic, for a cool white LED (6000K)

CONFIGURATEUR.EMPLACEMENT

Wall lights

Masts

CARACTERISTICS

Weight : **1750 g**

Options of luminous effects

- RGBW option
- Adjustable on 3 axis
- Rotating beam
- Beam with various openings
- Transparent flat window
- Colour control system (optional)

Power supply - Control

Cable length: **1 m**

Integrated : 24V-Non dimmable, 24V-PWM, 24V-DMX, 24V-DALI
Remote : 24V-0/10V

Integrated : 230V-Non dimmable, 230V-0/10V

Material

- Anodised glazed aluminium
- Vandalism-proof, scratch-proof, UV-proof, polycarbonate window, M2

Mechanical strength - Waterproofness

IK10 Resists impacts up to IK10
20J

IP68 Tight for extended immersion

4040M LUMINY 4

This datasheet gives you all the available optics for this product, consistent with the number of LEDs.

URL of this product: <http://www.lec.fr/4040m-luminy-4-r875>

