

## 4060 LUMINY 6

«Extra» version in the Luminy spotlight range.

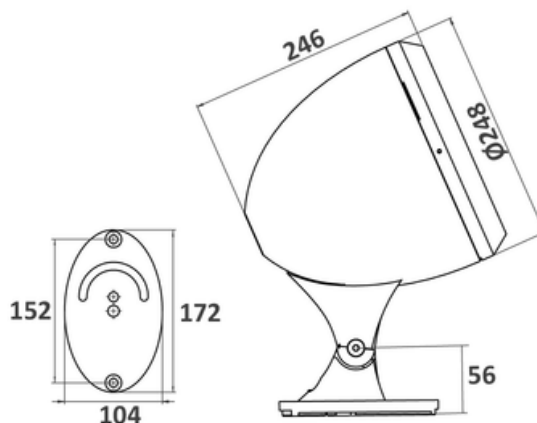
Installs on roads/floors, wall or poles with custom-adaptable accessories.

### APPLICATIONS:

- Architectural heritage enhancement
- Facades lighting
- Tree and vegetation uplighting
- Direct or indirect lighting of public space

RGBW options available

- Aluminium body with thermolacquered paint finish, RAL of your choice
- Vandalproof organic glass window
- 316L Stainless screws
- 3-way orientable
- Optional light hood



### AVAILABLE OPTIONS

Number of LEDs	36
Type of LEDs	Power LEDs. Contact us for hot countries.

Select your specific requirements with our product configurator, by filtering technical criteria at the following link:  
<http://www.lec-lyon.com/4060-luminy-6-r392>

### APPLICATION

#### Outdoor lighting

Standard flux : **8028 lm**

*This value is gained from the optimum output of the LED number, inclusive of optic, for a cool white LED (6000K)*

### MOUNTING TYPE

Wall lights

Masts

### CHARACTERISTICS

Weight : **5300 g**

Eco Design

### Options of luminous effects

Adjustable on 3 axis

Rotating beam

Beam with various openings

Transparent flat window

Colour control system (optional)

### Power supply - Control

Cable length: **5 m**

Integrated : 230V-Non dimmable, 230V-0/10V, 230V-DMX, 230V-DALI

### Material

Vandalism-proof, scratch-proof, UV-proof, polycarbonate window, M2

### Mechanical strength - Waterproofness

**IK10** Resists impacts up to 20 joules (IK10)

**IP67** Tight for temporary immersion

## 4060 LUMINY 6

This datasheet gives you all the available optics for this product, consistent with the number of LEDs.

URL of this product: <http://www.lec-lyon.com/4060-luminy-6-r392>

